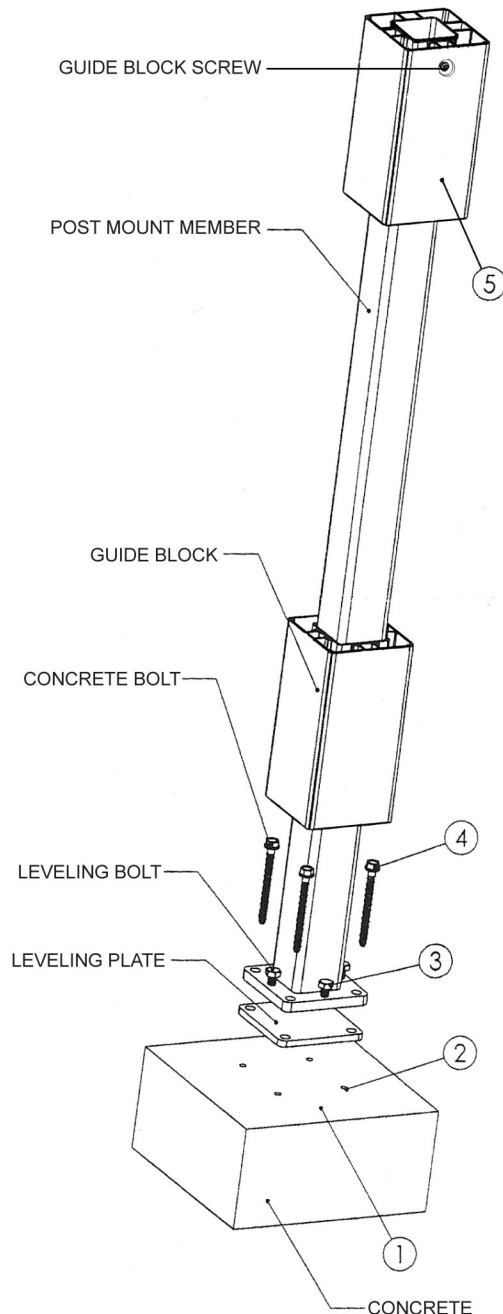


## Concrete Post Mount Installation Instructions



- STEP 1** - Lay out the location of the post.
- STEP 2** - Using the leveling plate as a template, mark the locations of the 4 mounting holes to be drilled.
- Drill 4 holes into the concrete using a 3/8" diameter masonry drill bit. The hole must be drilled to a minimum depth of 4".
  - Clean out the holes of all dust and debris.
- STEP 3** - Install the 4 leveling bolts into the post mount member.
- Place the leveling plate on the concrete surface and align over the 4 drilled holes.
  - Place the post mount member on top of the leveling plate and align the 4 holes.
  - Adjust the leveling screws to ensure the post mount member is level.
- STEP 4** - Install the 4 concrete bolts as shown by applying downward pressure while turning in a clockwise direction.
- Continue to tighten the bolts until the heads are firmly seated. (Do not over tighten.)
- STEP 5** - The top Guide Block placement is preset at the factory for 36" tall residential railing. For 42" tall commercial railing applications, unscrew the top Guide Block's screw and flip the block to extend the height of the mount and replace the screw.
- STEP 6** - Install the post profile and rail brackets according to manufacturer specifications.

**IMPORTANT:**

Installer must consult local code officials for compliance to building code requirements.